

PRODUCT SPECIFICATIONS

TABLE TOP GROW LIGHT

52 PAR | 35W | 6500K



GENERAL SPECIFICATIONS

1. Three color spectra for different plant stages
2. Built in timer with 4 settings
3. Simple Touch control interface
4. 35W
5. 52 PPF max, 3200 lumens typical
6. 1.5 PPF efficacy max
7. Adjustable height (13.5" - 20.4")
8. Versatile tray that supports soil growth and hydroponics
9. 25,000 lifetime
10. UL Damp
11. 5' SPT-2 power cord
12. 120VAC
13. overpower, overheat, open and short circuit protection
14. 1 year manufacturer warranty

	UNIT	MIN	TYPICAL	MAX	REMARK
AC Voltage	V	108	120	132	-
Frequency	Hz	-	60	-	-
Power Consumption	W	30	35	40	Vegetation Mode
Power Factor	-	0.94	0.99	-	Vegetation Mode
Driving Current to LED	mA	113	125	138	Vegetation Mode
CCT	K	-	6500K	-	Vegetation Mode
CRI	-	80	-	-	Vegetation Mode
Luminous Flux	lm	-	3200	-	Vegetation Mode
		-	49	-	Vegetation Mode
PAR Output	μmol/s	-	52	-	Seeding Mode
		-	46	-	Flowering Mode
PAR Efficacy	μmol/J	-	1.5	-	Seeding Mode
View Angle	degree		115°		C0-180 @ 6500K White
	degree		120°		C90-270@ 6500K White

* Unity maintains a tolerance of +/- 5% on flux, power measurement and CCT, and +/- 2 on CRI measurements

* All characteristics are measured after 0.5 hour stabilization

* Electro-optical Characteristics @ TA= 25° / 120VAC / 60Hz

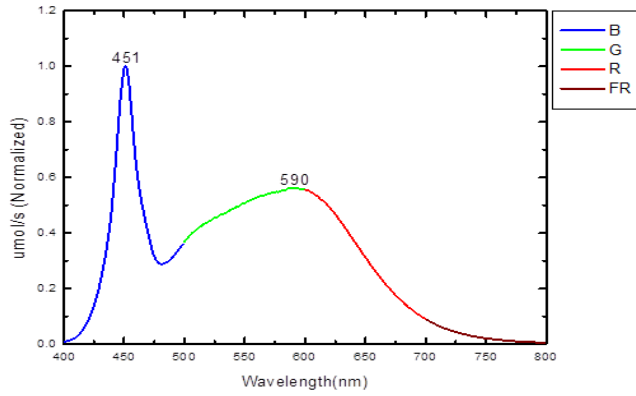
OPERATING ENVIRONMENT

MAX RATING VALUE

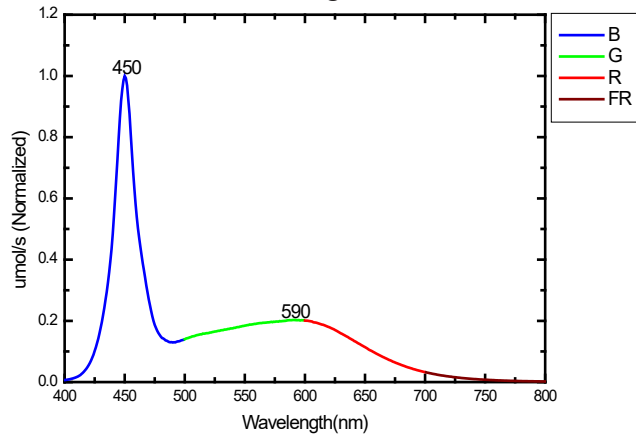
Storage temperature range	-20° ~ +50°C
Operating temperature range	-10° ~ +40°C
Lifetime	25,000 Hours

SPECTRUM

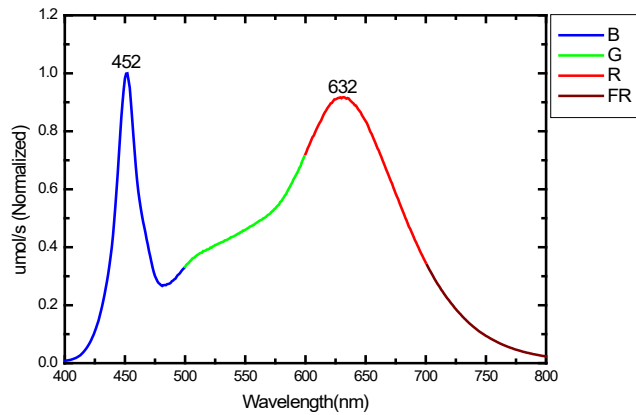
Vegetation Mode



Seeding Mode

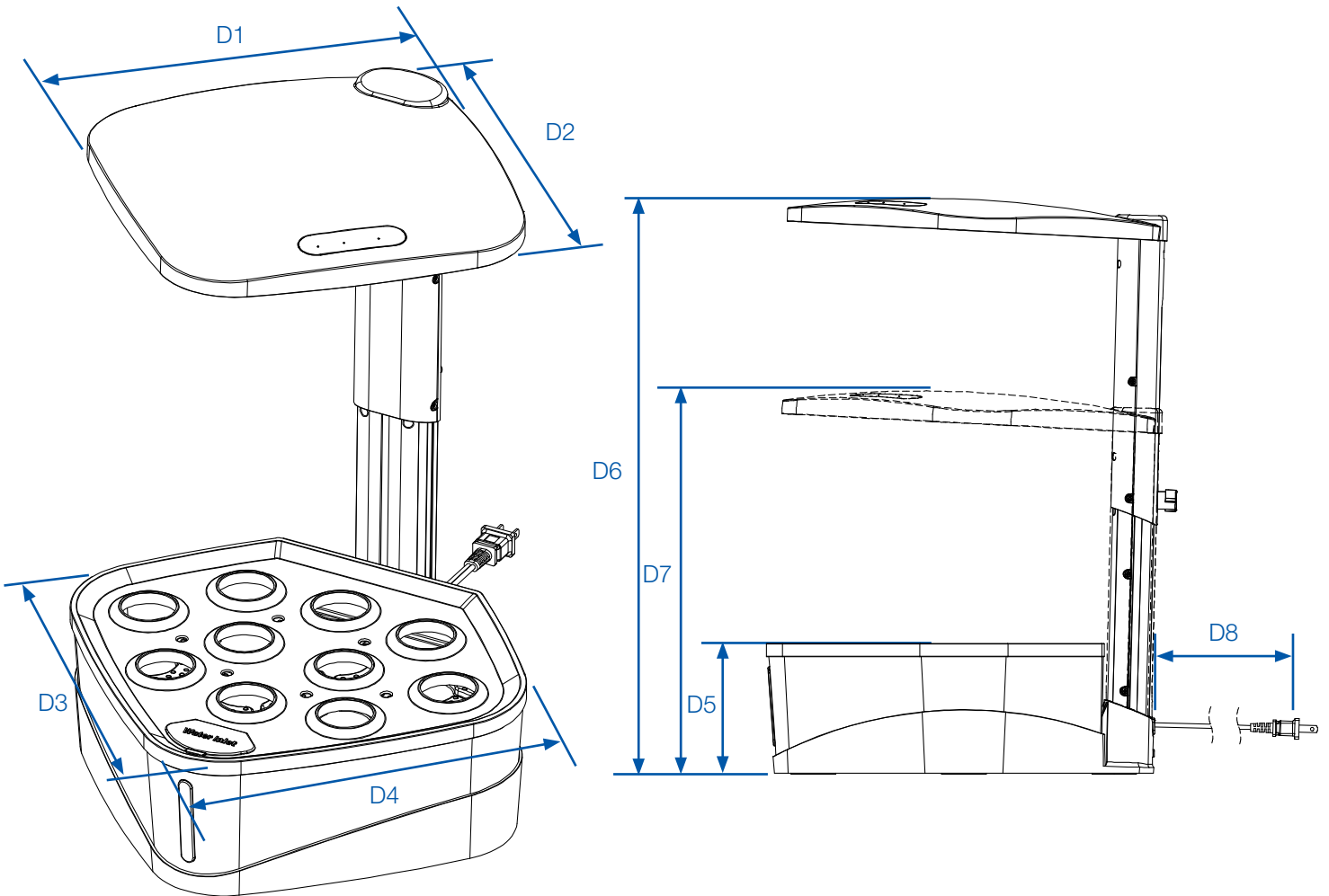


Flowering Mode

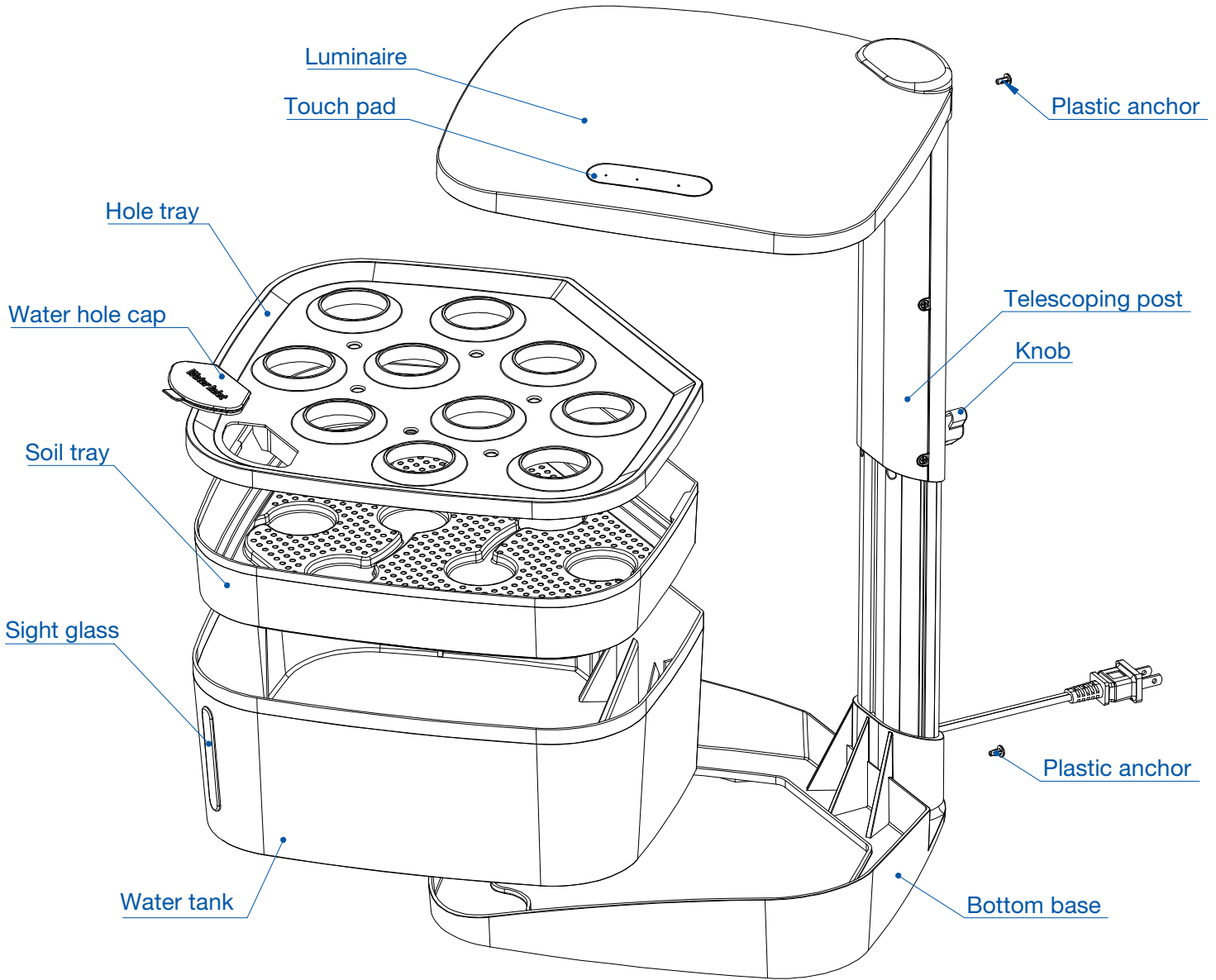


MECHANICAL CHARACTERISTICS

ITEM	DESCRIPTION	UNIT	MIN	TYPICAL	MAX
D1	Top Length	inch	11.0	11.1	11.2
D2	Top Width	inch	11.0	11.1	11.2
D3	Water Tank Length	inch	11.5	11.6	11.7
D4	Water Tank Width	inch	11.5	11.6	11.7
D5	Water Tank/Base Height	inch	4.5	4.6	4.7
D6	Fixture Maximum Height	inch	20.3	20.4	20.5
D7	Fixture Minimum Height	inch	13.5	13.6	13.7
D8	AC Power Cord Length	inch	60	-	-
-	Weight	lb	-	TBD	-

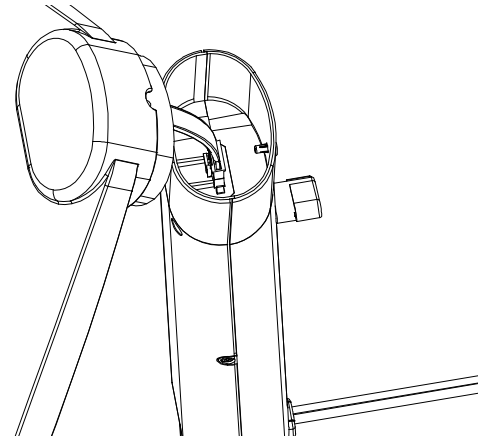
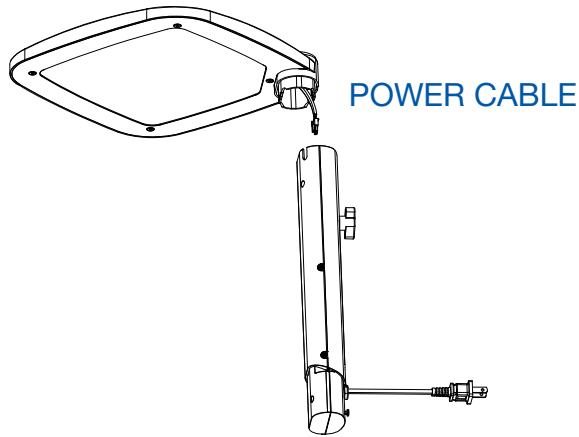


EXPLODED VIEW

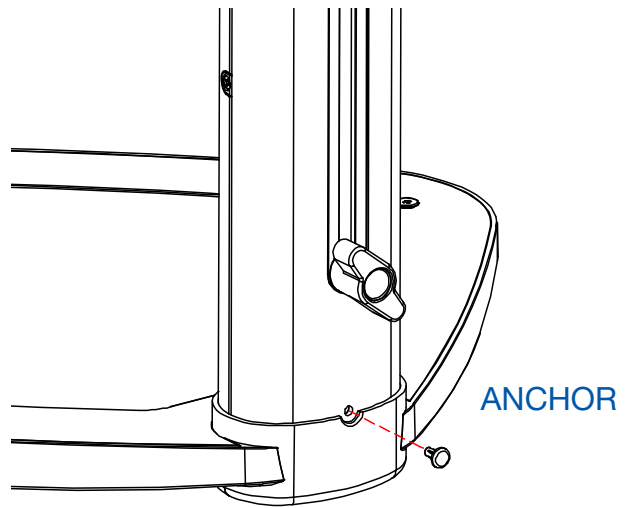
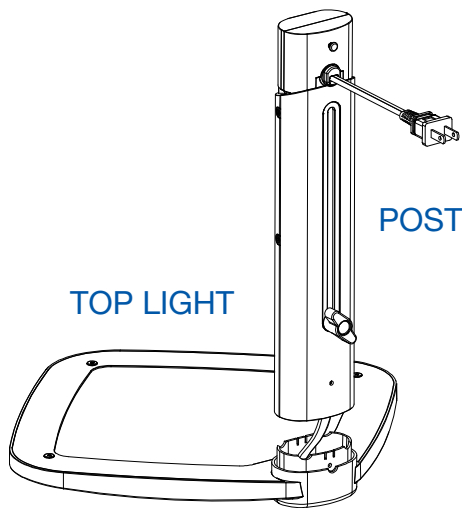


ASSEMBLY INSTRUCTIONS

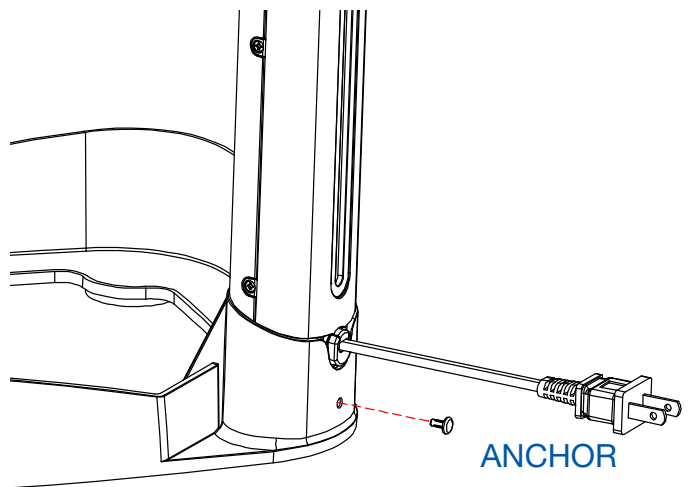
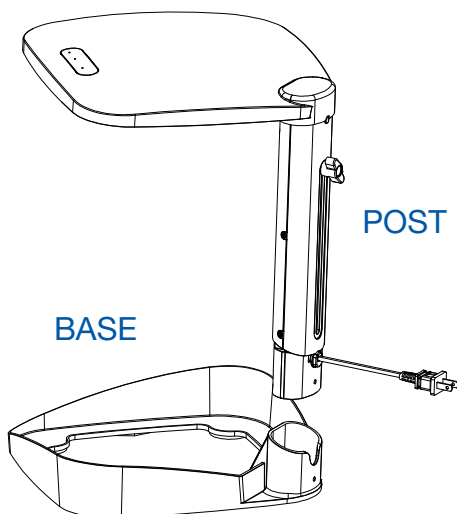
(1) Make electrical connection between top light and post



(2) Slide post into top light, and insert locking anchor

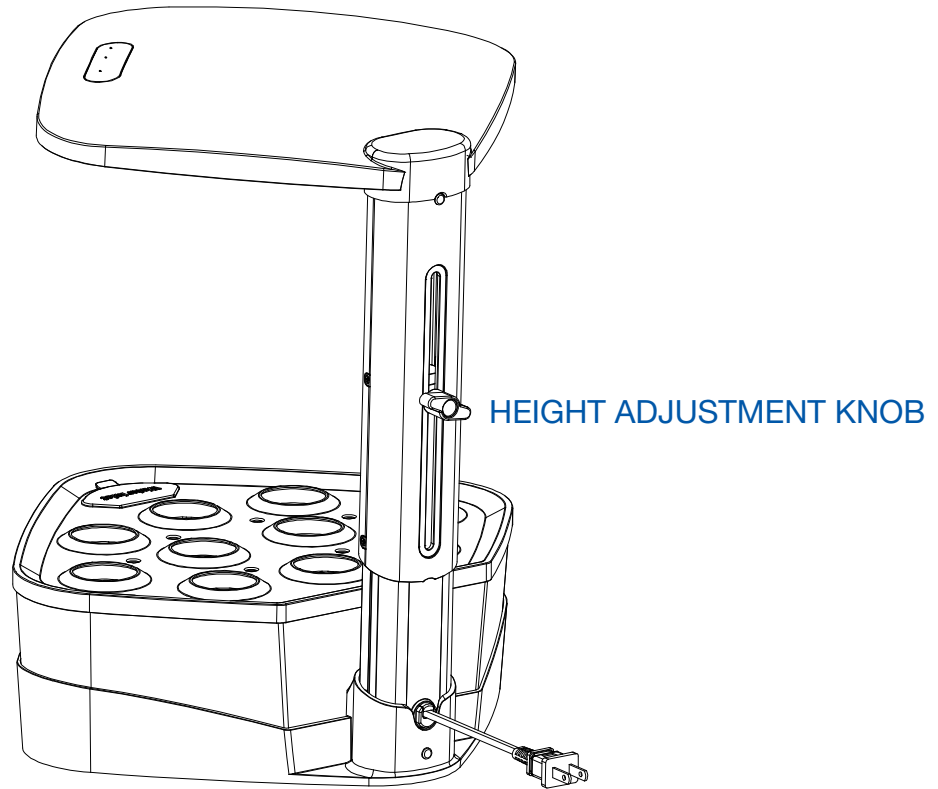


(3) Slide post into Base, and insert locking anchor



HEIGHT ADJUSTMENT

- (1) Loosen knob
- (2) Adjust top light
- (3) Hand tighten post
(do not overtighten)



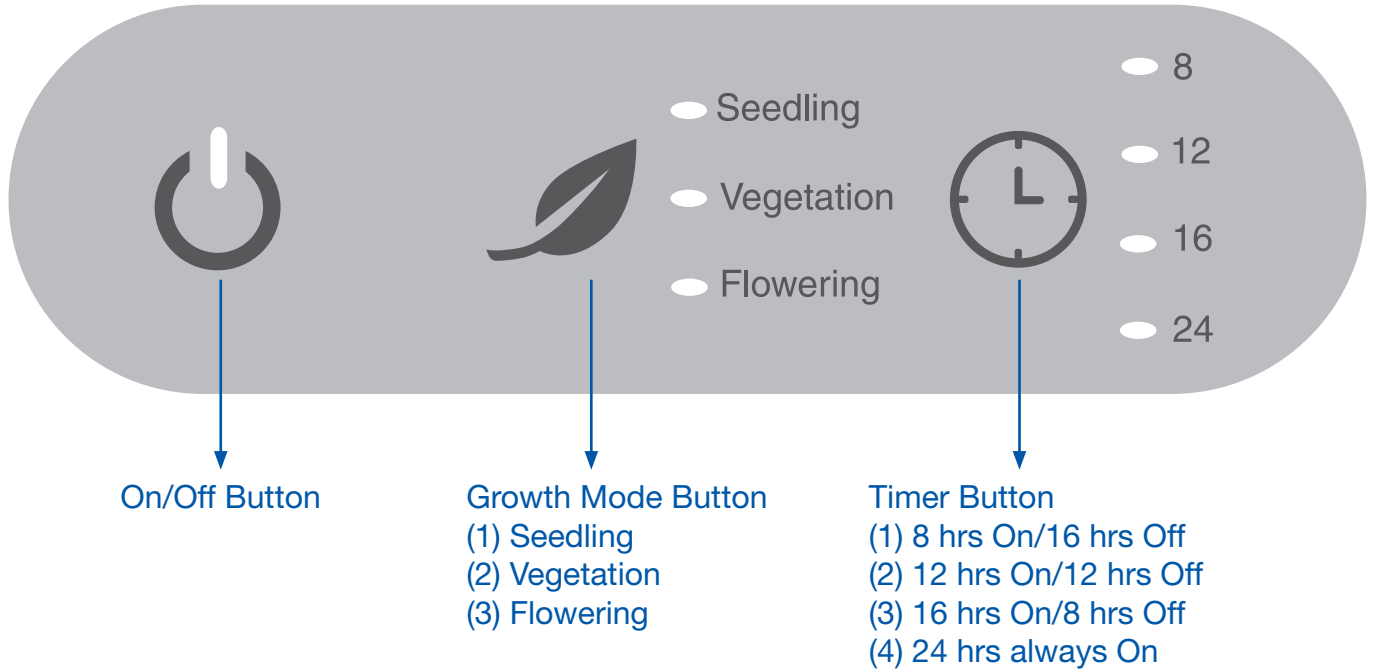
MINIMUM HEIGHT



MAXIMUM HEIGHT



TOUCHPAD MANUAL



On/Off Button

The default mode is seedling with the timer at 8 hours

The fixture remembers the last light setting as long as it is connected to power.

Growth Mode Bottom changes the spectra between seedling, vegetation and flowering

Seedling: Blue and white LEDs

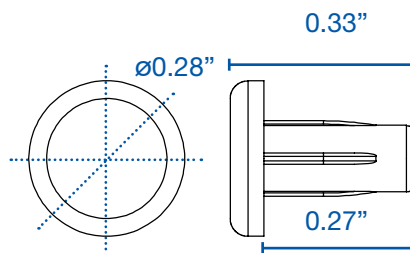
Vegetation: All white LEDs

Flowering: Red and white LEDs

Timer Button: An internal clock tracks a 24 hour cycle. The number indicates the LED on time during the 24 cycle.

INCLUDED ACCESSORIES

#	ITEM	QTY	MATERIAL
D1	Plastic Anchor	4	PP



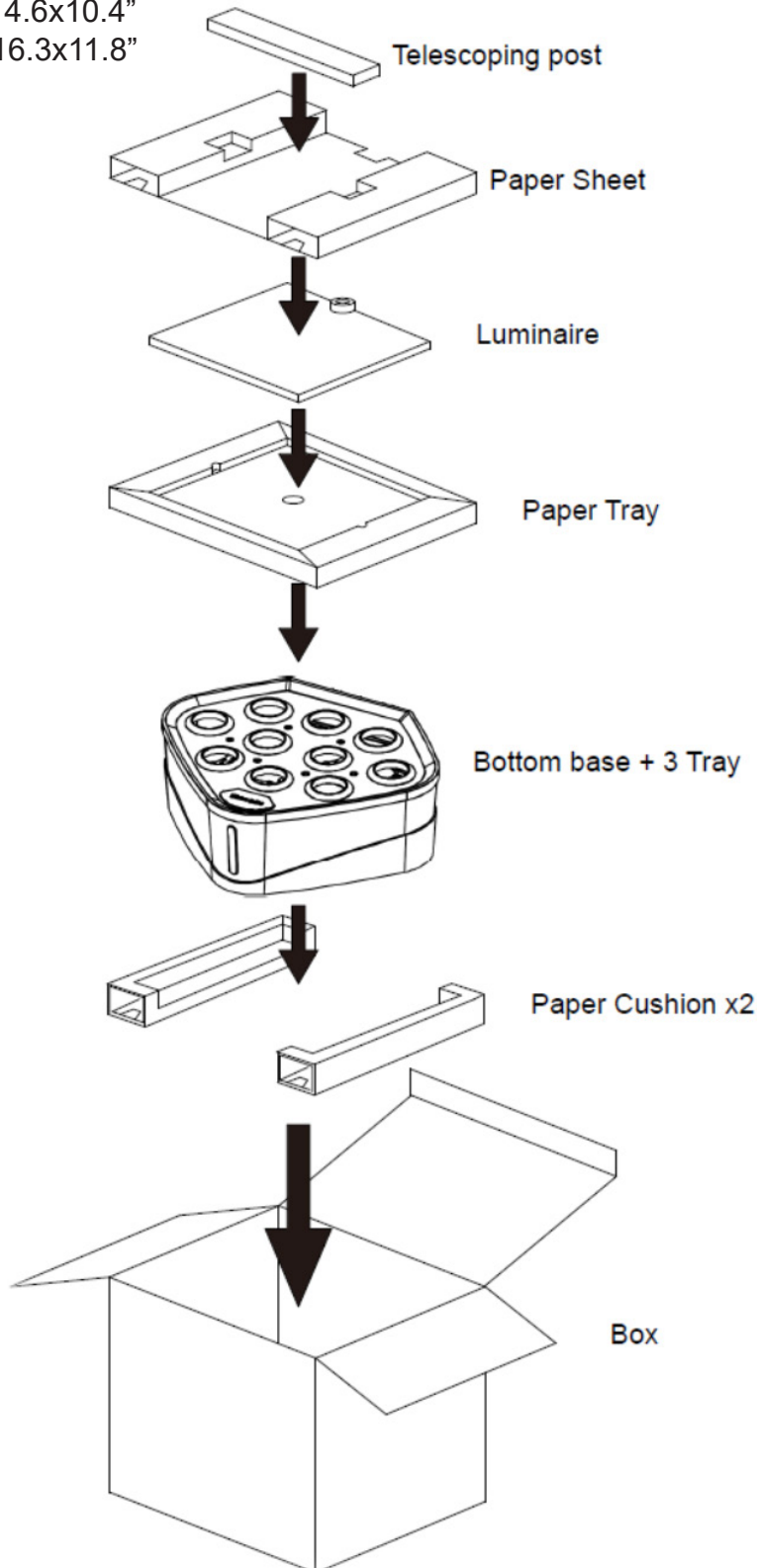
PACKAGING DETAILS

Estimated Dimensions

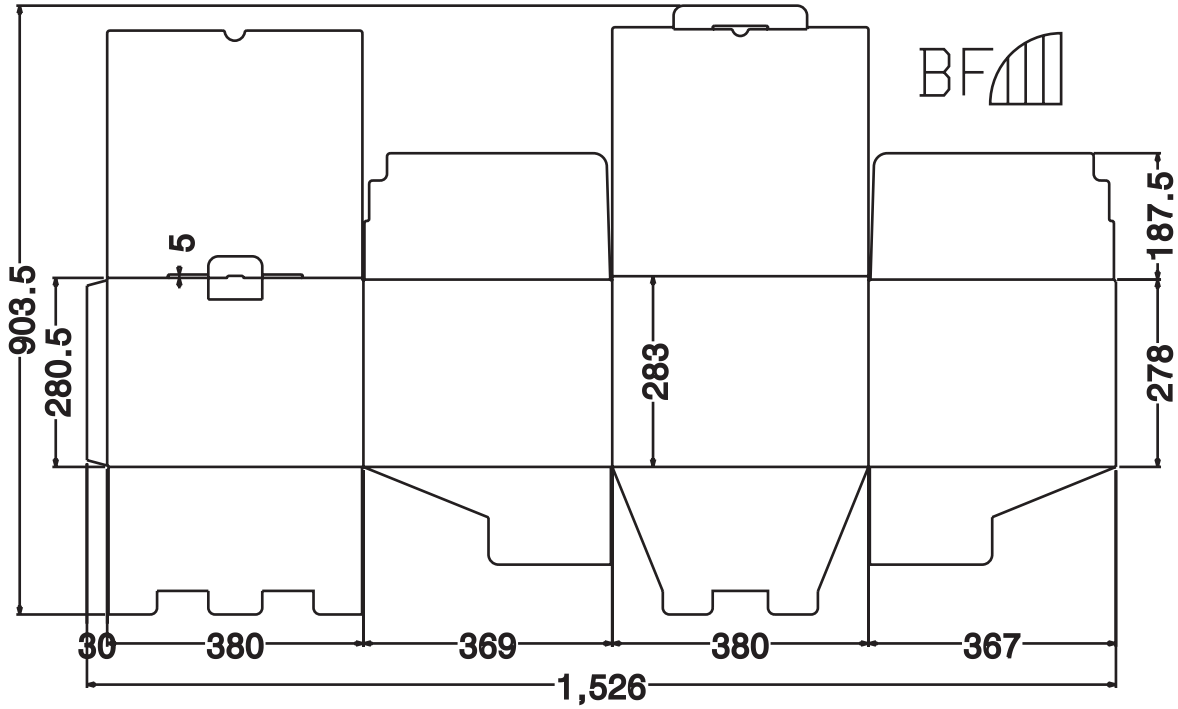
Individual Box: 14.1x14.6x10.4"

Master Carton: 30.3x16.3x11.8"

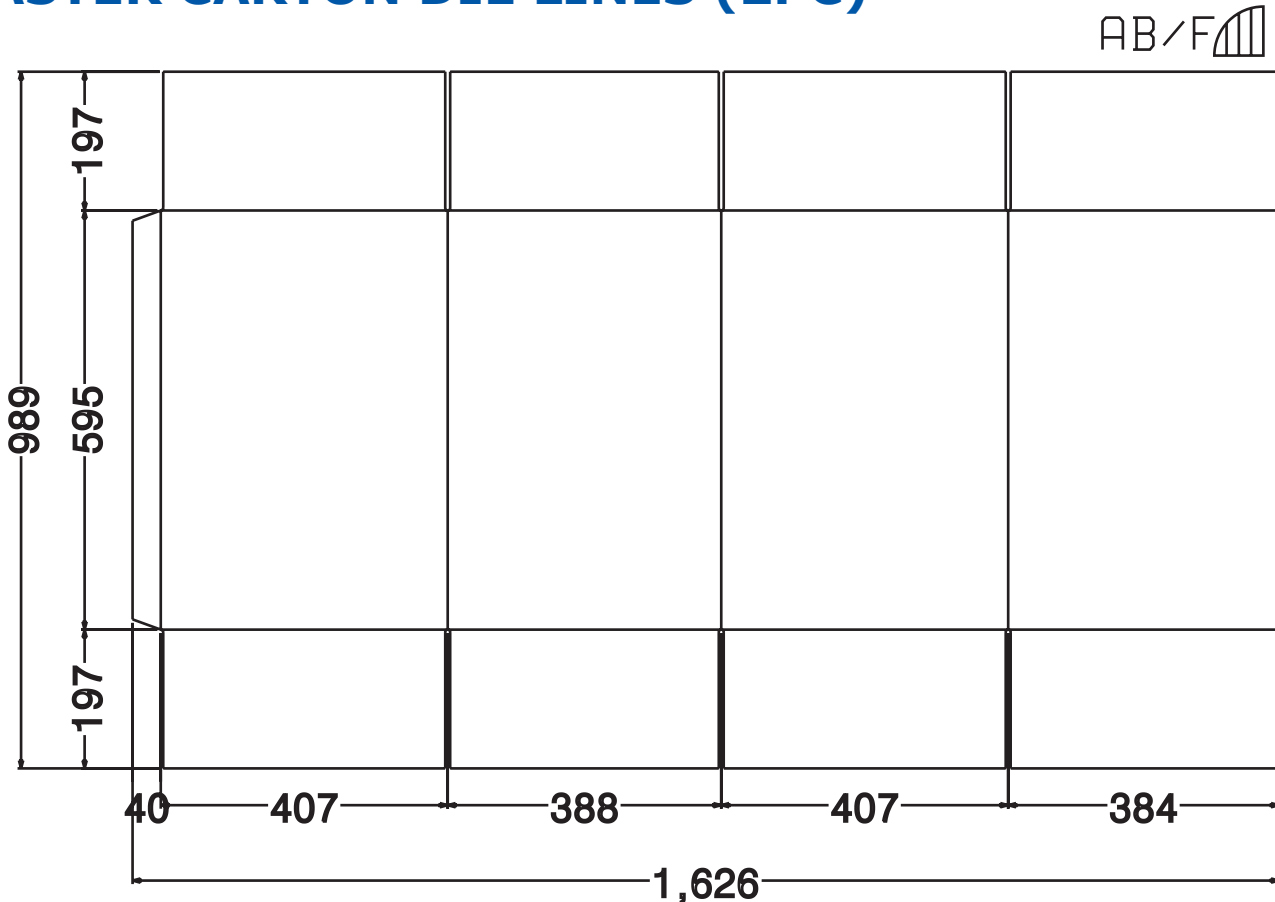
(2 pcs per Master)



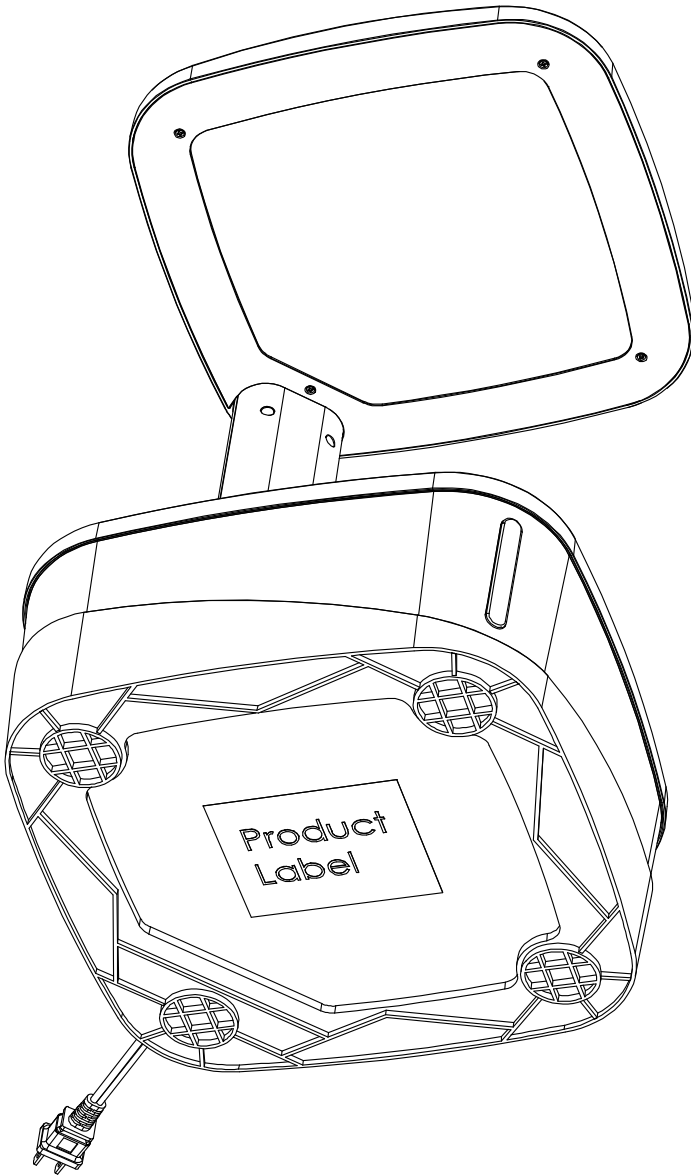
RETAIL BOX DIE LINES




MASTER CARTON DIE LINES (2PC)




LABEL LOCATIONS





Item: GLP20/TABLE/35W/LED
 Voltage: 120Vac 60Hz
 Current: 0.32A
 Wattage: 35W
 Kelvin: 6500K
 Lumens:
 Date Code: 280-XX-XX



This device complies with part 15 of the FCC Rules. Operation is subject to the following two conditions: (1) This device may not cause harmful interference, and (2) this device must accept any interference received, including that which may cause undesired operation.

CONFORMS TO UL STD. 153
 CERTIFIED TO CSA STD. C22.2 No. 250.4

**HOUSEHOLD USE
 DO NOT SUBMERSE
 SUITABLE FOR DAMP LOCATIONS**

**FCC Label/Warning Label
100 x 80mm**

LOT CODE FORMAT

The lot number is comprised by the following characters:

280-YY-WW

280 - Factory code

YY - Year code (18 for 2018)

WW - Weekly code